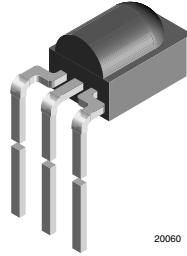


# IR Receiver Modules for Remote Control Systems



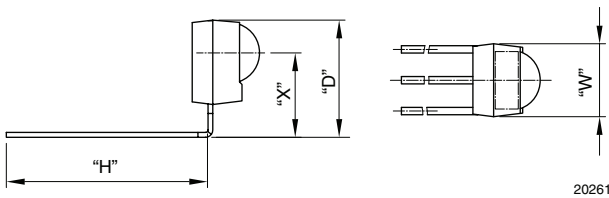
20060

**FEATURES**

- Compliant to RoHS directive 2002/95/EC and in accordance to WEEE 2002/96/EC

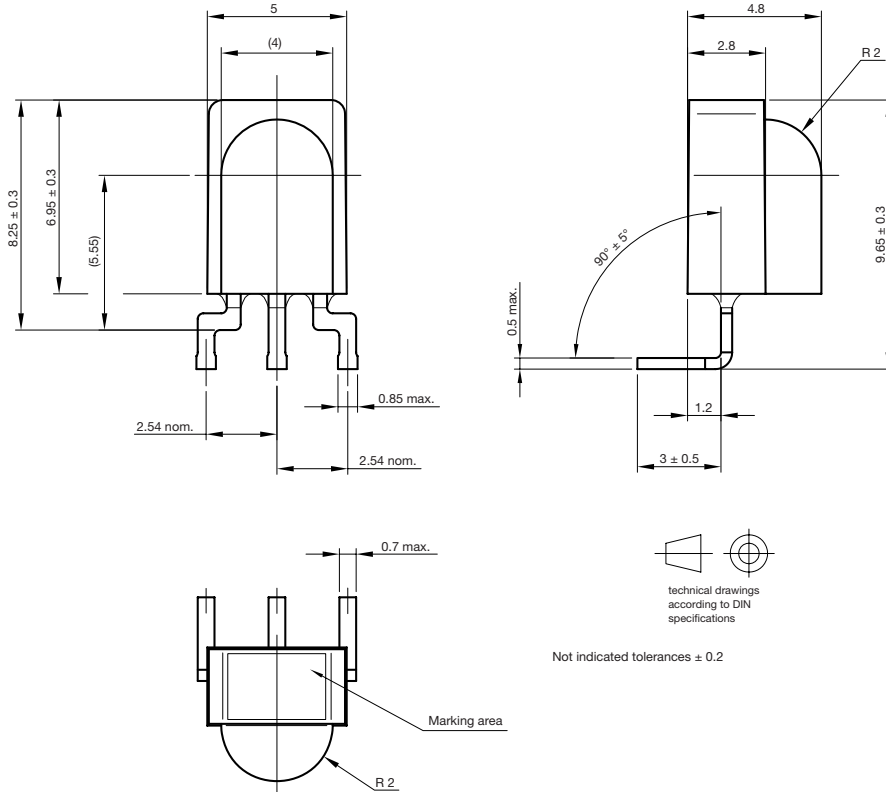

**AVAILABLE FOR:**

- TSOP58...
- TSOP59...
- TSOP38....
- TSOP39...
- TSOP98...

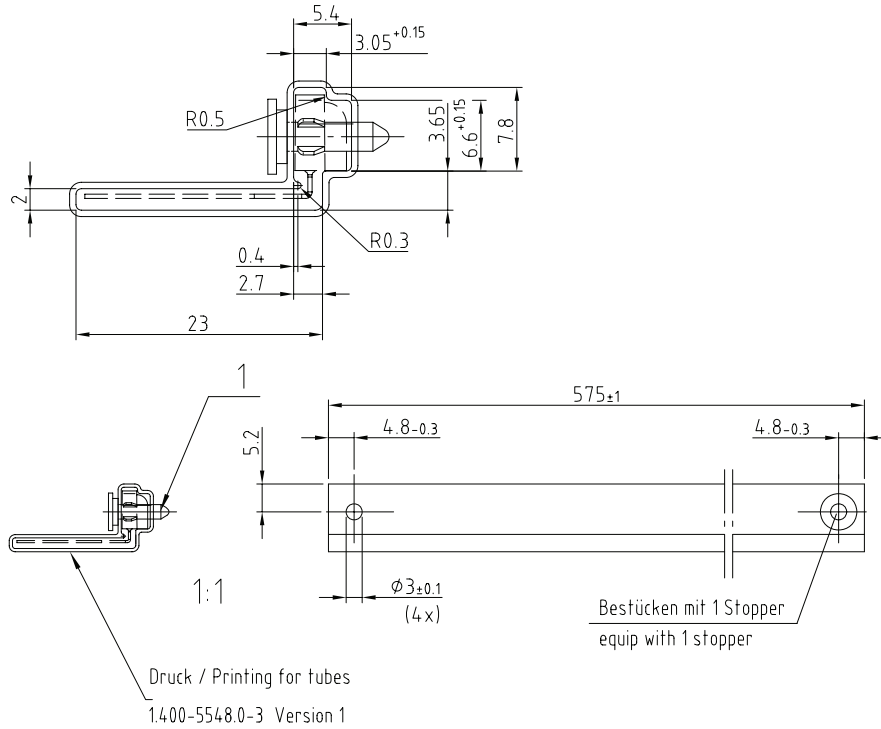

**RoHS**  
COMPLIANT


20261

NAME	LENS AXIS (X)	VIEW	TYPE	HEIGHT (H)	WIDTH (W)	DEPTH (D)
SU1	6.95	Top	Bend	3	5	9.65

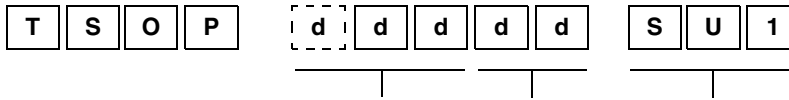
**MECHANICAL DIMENSIONS** in millimeters

 Drawing-No.: 6.550-5281.05-4  
 Issue: 4; 12.03.10  
 21411

**PACKAGING DIMENSIONS** in millimeters



Drawing-No.: 9.700-5309.0-4  
Rev. 2; Date: 26.10.07  
20440

**ORDERING INFORMATION**



2 or 3 digit product series    2 digit frequency    Holder type

**Note**

d = "digit", please consult the list of available series on the previous page to create a valid part number.

**Example: TSOP38238SU1**

**PACKING QUANTITY**

- 105 pieces per tube
- 30 tubes per carton